

# Models US120 E-Frame Vertical Hot Stamp & Heat Transfer Equipment



United Silicone's large-area hot stamp and heat transfer decorating machines provide advanced capabilities for reduced setup time, high reliability, efficiency, smooth and quiet operation, and simplified troubleshooting. These versatile machines may also be used for graphic foil stamping, die cutting, and embossing. All machines feature stable, consistent head travel and smooth foil advance for optimum stamping quality from job to job.

#### Advanced Control System

- Job storage capabilities
- Advanced diagnostic capabilities
- Digital control of temperature and time parameters
- Graphics screen on operator control interface

#### Powerful Stamping Force and Control

- Air-Over-Oil Power System: Develops instantaneous, consistent force, even with variations in material thickness
- Front-panel fine adjustment offers precise control over head stroke length & stamping force
- Numerous head sizes to accommodate a wide range of part sizes

#### Precision Foil Advance

- Optional, adjustable head-up delay regulates cooling time for optimum foil release

#### Precision Heat Transfer Web Advance

- DC Motor with constant torque, electronic web offset adjustment

#### **Customer Benefits:**

- Constant torque for smooth advance
- Accurate, repeatable cycling for minimal transfer/foil waste
- Safe, quiet, smooth cycling
- Provides safe work environment

United Silicone, an ITW Decorating Company, specializes in the design and production of standard and custom hot stamp and heat transfer decorating machines. Our automation department offers complete capabilities from integrated applications to full turnkey systems.

United Silicone also provides a complete range of supplies including: silicone rubber dies, rollers, sheets, part holding fixtures and heat seal supplies.

	US120
Maximum Stamping Force	12 Ton
Standard Head Size	12" x 16"

#### **Trusted Partner for Your Product Decorating Needs**

United Silicone 4471 Walden Avenue, Lancaster, NY 14086  
Tel +1 (716) 681 8222 Fax +1 (716) 681 8789  
Email [info@unitedsilicone.com](mailto:info@unitedsilicone.com)

[www.unitedsilicone.com](http://www.unitedsilicone.com) [www.itwids.com](http://www.itwids.com)

#### **A MEMBER OF**

**IDS** | A Division of ITW

## Operating Features

An **advanced control system** is specifically designed and optimized for hot stamp and heat transfer applications. The control unit provides reliability over all functions, has machine setting memory for all temperatures and time parameters and has the flexibility for expansion and customization. Side-mounted operator controls with membrane switch panel and graphics screen display offers operator convenience by displaying machine settings, machine status and diagnostic messages. Featured is digital control of stamping temperature with overheat setpoint protection, dwell time, foil pull time and resistance to electro-magnetic interference. Also provided is a before/after foil pull selector, digital parts counter with reset, a set-up selector and optional head-up delay selector.

### Consistent stamping pressure and stable head action

**Head height fine adjustment** allows precise control of stroke length and stamping force.

**Head angle adjustment** permits proper front-to-rear angular relationship to be set between die and work table.

**Front panel head speed flow controls** permit convenient adjustment of up and down head travel speeds, cycle time, stamping and foil stripping conditions.

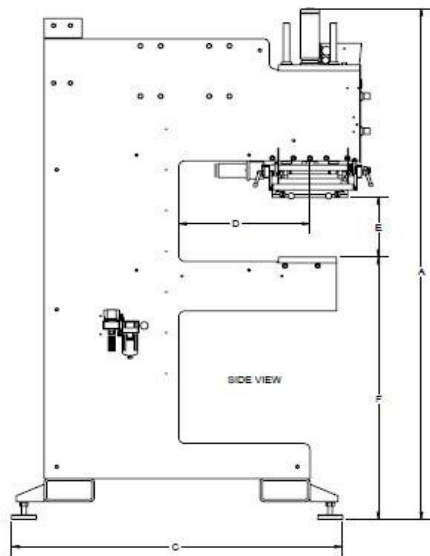
**Dual palm buttons** combine reliable cycle starting with operator safety.

**Quick-change die holder** with adjustable stops ensures positive, repeatable die positioning.

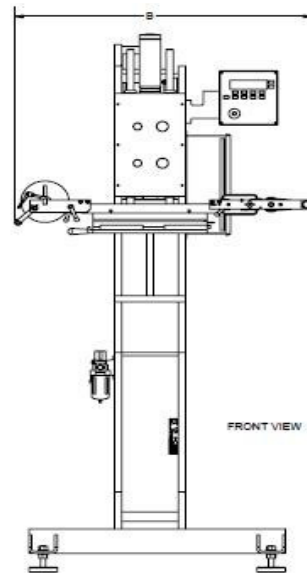
## Construction Features

- Rugged steel machine frame for reliability and repeatability
- Machine components, available painted, chrome plated, black oxide coated, and anodized providing long-term corrosion protection.
- Machine base with solid top and leveling feet offers a sturdy base and independent leveling adjustment on all four corners.

## Specifications



US120  
E-Frame



\*All sizes are referenced in Inches

	A	B	C	D	E
US120	88	42	53	21	10

### Trusted Partner for Your Product Decorating Needs

United Silicone 4471 Walden Avenue, Lancaster, NY 14086

Tel +1 (716) 681 8222 Fax +1 (716) 681 8789

Email [info@unitedsilicone.com](mailto:info@unitedsilicone.com)

[www.unitedsilicone.com](http://www.unitedsilicone.com) [www.itwids.com](http://www.itwids.com)

A MEMBER OF

