

Models US10 & US25 Hot Stamp & Heat Transfer Equipment



United Silicone's small-area hot stamp and heat transfer decorating machines provide advanced capabilities for reduced setup time, high reliability, efficiency, smooth and quiet operation, and simplified troubleshooting. All machines feature stable, consistent head travel and smooth foil advance for optimum stamping quality from job to job.

Advanced Control System

- Job storage capabilities
- Advanced diagnostic capabilities
- Digital control of temperature and time parameters
- Graphics screen on operator control interface

Stable Head Control

- Improved head guide system for accurate positioning throughout the head stroke
- Safe, quiet, smooth cycling
- Convenient, accurate stroke length adjustment for rapid setup
- Front panel speed controls to set ideal head travel speeds, stamping pressure, and foil stripping condition

Precision Foil Advance

- Constant torque for smooth advance
- Optional, adjustable head up delay regulates cooling time for optimum foil release
- Accurate, repeatable cycling for minimal foil waste

Model	US 10	US 25
Maximum Stamping Force	1 Ton	2.5 Ton
Standard Head Sizes	6" x 8"	8" x 8" 8" x 16"

Customer Benefits:

- Constant torque for smooth advance
- Accurate, repeatable cycling for minimal transfer/foil waste
- Safe, quiet, smooth cycling
- Provides safe work environment

United Silicone, part of Industrial Decorating Solutions (IDS), specializes in the design and production of standard and custom hot stamp and heat transfer decorating machines. Our automation department offers complete capabilities from integrated applications to full turnkey systems.

United Silicone also provides a complete range of supplies including: silicone rubber dies, rollers, sheets, part holding fixtures, and heat seal supplies.

Trusted Partner for Your Product Decorating Needs

United Silicone 4471 Walden Avenue, Lancaster, NY 14086
 Tel +1 (716) 681 8222 Fax +1 (716) 681 8789
 Email info@unitedsilicone.com

www.unitedsilicone.com www.itwids.com

A MEMBER OF

 **IDS** | A Division of ITW

Operating Features

An advanced control system is specifically designed and optimized for hot stamp and heat transfer applications. The control unit provides reliability over all functions, has machine setting memory for all temperatures and time parameters and has the flexibility for expansion and customization. Side-mounted operator controls with membrane switch panel and graphics screen display offers operator convenience by displaying machine settings, machine status and diagnostic messages. Featured is digital control of stamping temperature with overheat set point protection, dwell time, foil pull time and resistance to electro magnetic interference. Also provided is a before/after foil pull selector, digital parts counter with reset, a set-up selector and optional head-up delay selector. **Fast, accurate head height coarse adjustment.**

Vernier fine adjustment and positive stop on double-acting pneumatic cylinder allows precise control of stroke length and accurate stamping force. The head guide system consisting of large diameter cylinder rods and guide shafts ensures stability throughout head travel. The US25 utilizes four guide shafts operating in linear bushings for accurate control of the machine's stamp head.

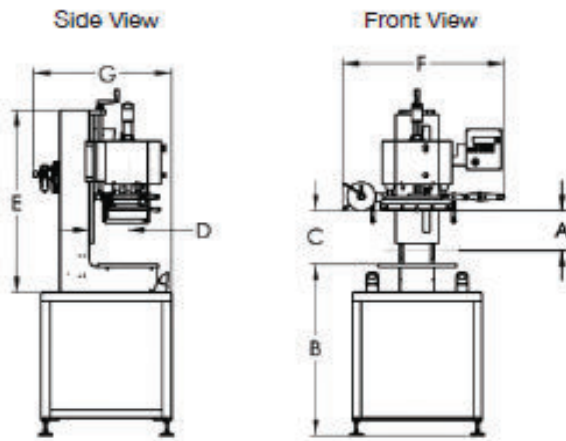
Front panel head speed flow controls permit convenient adjustment of up and down head travel speeds, cycle time, stamping, and foil stripping conditions.

Pre-drilled and tapped steel work table provides a stable setup platform and convenient fixture mounting. Quick-change die holder with adjustable stops ensures positive, repeatable die positioning.

Precision foil and web advance system, driven by a stepper motor, produces constant torque for smooth advance, reliable control, efficient foil utilization, and minimal waste. The system features- Foil tensioning arm helps prevent wrinkling of foil, Adjustable foil guides and guide rings which maintain accurate foil positioning and Quick-release foil take-up shaft facilitates rapid roll changeover.

The construction of this machine includes – rugged steel machine provides high stamping repeatability, while modular design permits easy adaptation to oversize parts. All machined components are coated for long-term protection. Coatings include paint, nickel plating and anodizing. Optional rugged steel machine stand with solid top and leveling feet offers a sturdy mounting platform.

Specifications



Model Type	US10	US25
Maximum Stamping Force (Tons)	1	2.5
A- Head Stroke	0"-3" (07.62 cm)	0"-3" (07.62 cm)
Head Size (Inches)	6"x8" (15.24x20.32 cm)	8"x8" (20.32 x 20.32 cm) 8x16 (20.32 x 40.64 cm)
B- Working Table Height	39"-43" (99.06- 109.22 cm)	39"-43" (99.06- 109.22 cm)
C- Working Height	0-16" (040.64 cm)	0-16" (040.64 cm)
D- Throat Depth	8" (15.24 cm)	8" (15.24 cm)
E- Approximate Dimensions (Height)	44" (111.76 cm)	44" (111.76 cm)
F- Width (Wide)	40" (101.6 cm)	40" (101.6 cm)
G- Depth (Deep)	30" (76.2 cm)	30" (76.2 cm)
Electrical Requirements (Volts)	110/220	110/220
Air Requirements (CFM)	3	5
Air Requirements (PSI)	50-100	50-100
Working Pressure (PSI)	10-100	20-100
Stand Dimensions (Inches)	30"x30"x30" 76.2x76.2x76.2 cm	30"x30"x30" 76.2x76.2x76.2 cm
Net Weight (Pounds)	800	800

Trusted Partner for Your Product Decorating Needs

United Silicone 4471 Walden Avenue, Lancaster, NY 14086

Tel +1 (716) 681 8222 Fax +1 (716) 681 8789

Email info@unitedsilicone.com

www.unitedsilicone.com www.itwids.com

A MEMBER OF

